

# Positioning Equipment From Bug-O Systems



**Bug-O Systems**

Welding And Cutting Solutions  
Since 1948

[www.bugo.com](http://www.bugo.com)

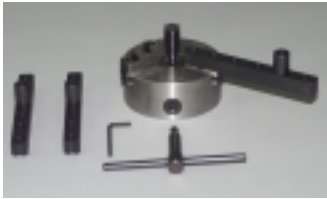




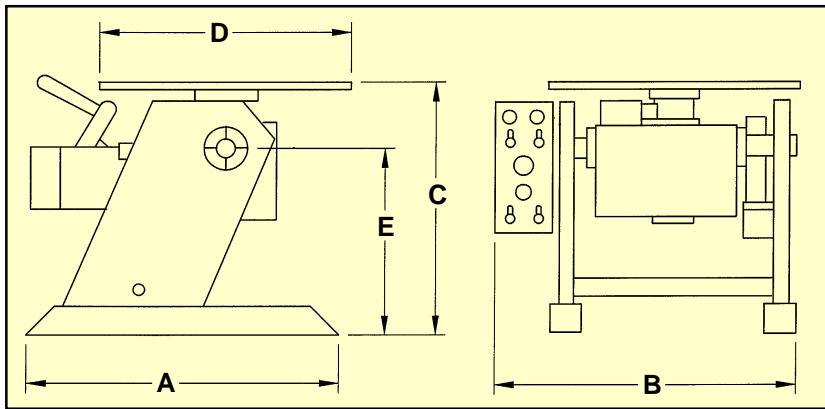
# Positioning Equipment

## BPT-100B & BPT-200B Welding Positioners

- DC Drive protected against high frequency.
- Turn Table tilts from 0-120°.
- Spindle has 1.38" through hole for pipe work or gas purge.
- 8 slot turntable provides quick mounting for holding fixture.
- Timer controlled weld period.
- Includes foot pedal.

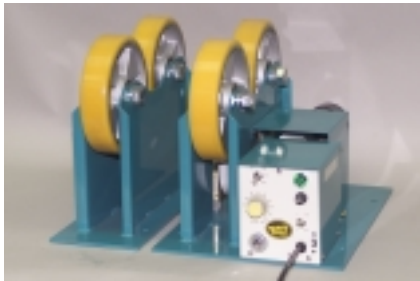


BPG-450L Chuck sold separately. Chuck capacity .157"-17.7" (4 mm-450 mm)

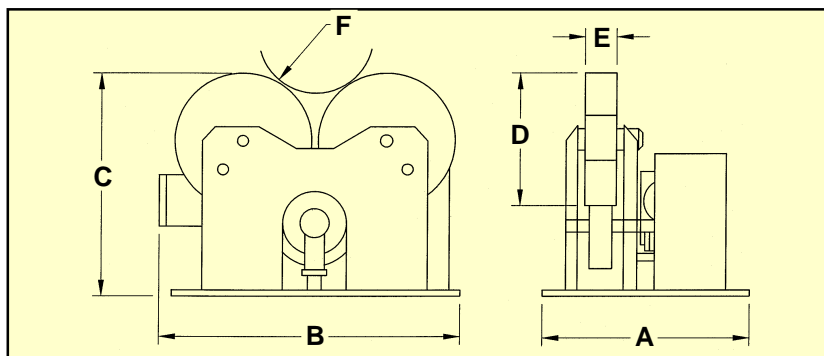


ITEM	Part #	
	BPT-100B	BPT-200B
Power Input	1 Phase 110V 60 Hz	
Capacity (lb) (Horz./Vert)	220/165	440/330
Rated Center of Gravity	4	
Rated Eccentricity (in)	4	
Table Dimension D (in)	12-5/8	
Rotation Speed (rpm)	A: 1~15/B: 0~4	
Spindle Thru Hole (in)	1/1/2	
Table Slot Bolt Size (in)	3/8	
Earthing (amp)	300	
Rotation Motor (hp)	1/20	1/12
Tilt Range (degree)	0-120	
Welding Timer (second)	0-60	
Overall Length A (in)	16-1/4	
Overall Width B (in)	16-1/4	
Overall Height C (in)	13-3/8	
Center to Floor E (in)	10	
Weight (lb)	82	88

## BTR-0100 Turning Roll Assembly



- DC Drive protected against high frequency.
- Remote foot switch run/stop controller.
- Forward/stop/reverse switch with potentiometer for stepless speed adjustment.



ITEM	Part #
	BTR-0100
Power Input	1 Phase 110V 60 Hz
Turning Capacity (lb)	2200
Load Capacity (lb) (Drive & Idler)	2200
Diameter Range, F (in)	1~31-3/8
Speed Range (in/min)	3-1/8~63
Rotation Motor (hp)	1/12
Roller Dia., D (in)	8
Roller Width, E (in)	2
Overall Length, A (in) (Drive/Idler)	12-5/8 / 6-5/16
Overall Width, B (in) (Drive Idler)	18-1/2
Overall Height, C (in)	13-5/16
Net Weight (lb) (Drive/Idler)	81.5/37.5

A QUALITY PRODUCT FROM BUG-O SYSTEMS • 3001 WEST CARSON STREET • PITTSBURGH, PA USA 15204-1899  
A DIVISION OF WELD TOOLING CORPORATION

© Weld Tooling Corp.

ROM 1:16 ∞ CE Litho in U.S.A.